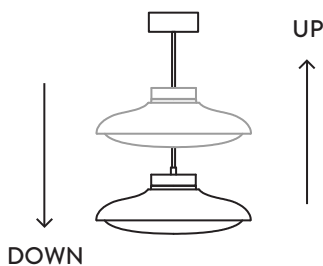


## Product technical sheet



### FIJI

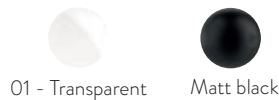
**Design:** Mandalaki Studio

**Typology:** Wall lamp, hanging lamp and ceiling lamp

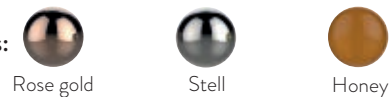
**Product code:** AP1481.1L, APGIG1481.1L, APXXL1481.1L, 1482.1L, GIG1482.1L, XXL1482.1L, 1486.1L, GIG1486.1L, XXL1486.1L, 1483.1L, GIG1483.1L, XXL1483.1L, 1487.120.3L, 1489MX.50.3L

**Products details:** Additional compositions on demand.  
 Black rubber electric cable.  
 Diffuser in sanded glass.  
 Driver included.  
 Dimmable.  
 LED is replaceable by professional.  
 1487.120.3L Ceiling track: stainless polished steel.  
 1489MX.50.3L Ceiling lamp: stainless polished steel.  
 Lumen indicated corresponds to the luminous intensity at the origin of the LED board.  
 LED 12,8W Dimmer Triac - 1615 Lm -126 Lm/W - IP20 - CC 350mA - CRI Typ.95 - 32-40V - 180° - 2700°K OR 3000°K.  
 UL components +10%

**Glass colours:**



**Metallic glass colours:**

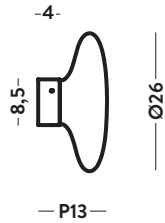


**Metal structure:**



**Special features:** Compatible with **CASAMBI** own the light, smart light and system designed by Cangini & Tucci.  
 Available Tunable white 2700k-5700k.  
 The driver is 7,2 x 5,1 x 2,5 cm and must be installed away from the wall and ceiling lamp.  
 Canopy is 12 x 5 cm for hanging lamp.

Available Up and down system: Canopy equipped with cable reel up&down inside mechanism.



## AP1481.1L

Wall lamp

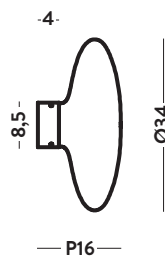
Ø26 cm - P13 cm

1 x LED 12,8W Dimmer Triac - 1615 Lm - 126 Lm/W

CC 350mA - CRI Typ.95 - 32 - 40V

180° - 3 step MacAdam - 2700°K / 3000°K

CE IP20 ⚠ 1m



## APGIG1481.1L

Wall lamp

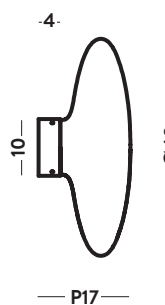
Ø34 cm - P16 cm

1 x LED 12,8W Dimmer Triac - 1615 Lm - 126 Lm/W

CC 350mA - CRI Typ.95 - 32 - 40V

180° - 3 step MacAdam - 2700°K / 3000°K

CE IP20 ⚠ 1m



## APXXL1481.1L

Wall lamp

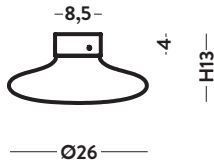
Ø40 cm - P17 cm

1 x LED 12,8W Dimmer Triac - 1615 Lm - 126 Lm/W

CC 350mA - CRI Typ.95 - 32 - 40V

180° - 3 step MacAdam - 2700°K / 3000°K

CE IP20 ⚠ 1m



## 1482.1L

Ceiling lamp

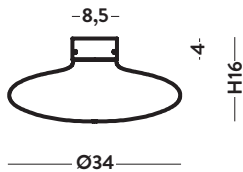
Ø26 cm - H13 cm

1 x LED 12,8W Dimmer Triac - 1615 Lm - 126 Lm/W

CC 350mA - CRI Typ.95 - 32 - 40V

180° - 3 step MacAdam - 2700°K / 3000°K

CE IP20 ⚠ 1m



## GIG1482.1L

Ceiling lamp

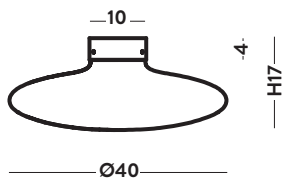
Ø34 cm - H16 cm

1 x LED 12,8W Dimmer Triac - 1615 Lm - 126 Lm/W

CC 350mA - CRI Typ.95 - 32 - 40V

180° - 3 step MacAdam - 2700°K / 3000°K

CE IP20 ⚠ 1m



## XXL1482.1L

Ceiling lamp

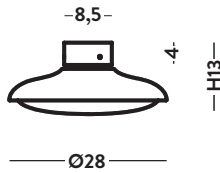
Ø40 cm - H17 cm

1 x LED 12,8W Dimmer Triac - 1615 Lm - 126 Lm/W

CC 350mA - CRI Typ.95 - 32 - 40V

180° - 3 step MacAdam - 2700°K / 3000°K

CE IP20 ⚠ 1m



## 1486.1L

Ceiling lamp

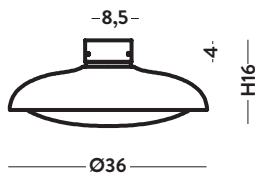
Ø28 cm - H13 cm

1 x LED 12,8W Dimmer Triac - 1615 Lm - 126 Lm/W

CC 350mA - CRI Typ.95 - 32 - 40V

180° - 3 step MacAdam - 2700°K / 3000°K

CE IP20 ⚠ 1m



## GIG1486.1L

Ceiling lamp

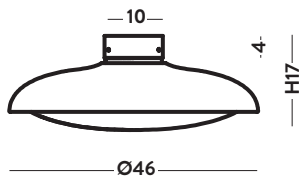
Ø36 cm - H16 cm

1 x LED 12,8W Dimmer Triac - 1615 Lm - 126 Lm/W

CC 350mA - CRI Typ.95 - 32 - 40V

180° - 3 step MacAdam - 2700°K / 3000°K

CE IP20 ⚠ 1m



## XXL1486.1L

Ceiling lamp

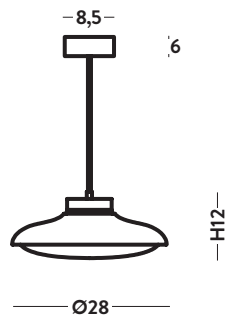
Ø46 cm - H17 cm

1 x LED 12,8W Dimmer Triac - 1615 Lm - 126 Lm/W

CC 350mA - CRI Typ.95 - 32 - 40V

180° - 3 step MacAdam - 2700°K / 3000°K

CE IP20 ⚠ 1m



## 1483.1L

Hanging lamp

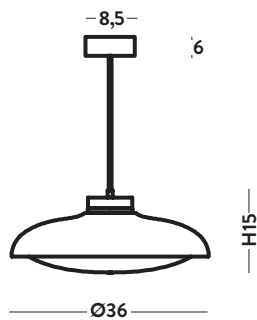
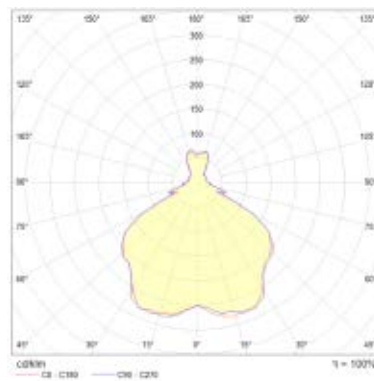
Glass Ø28 cm - Cable 150 cm

1 x LED 12,8W Dimmer Triac - 1615 Lm - 126 Lm/W

CC 350mA - CRI Typ.95 - 32 - 40V

180° - 3 step MacAdam - 2700°K / 3000°K

CE IP20 ⚠ 1m



## GIG1483.1L

Hanging lamp

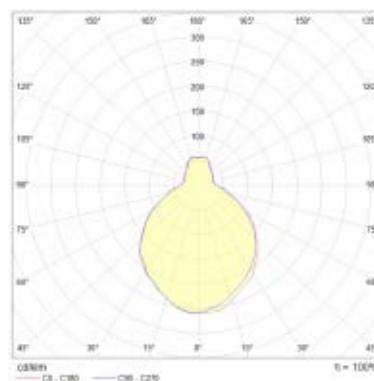
Glass Ø36 cm - Cable 150 cm

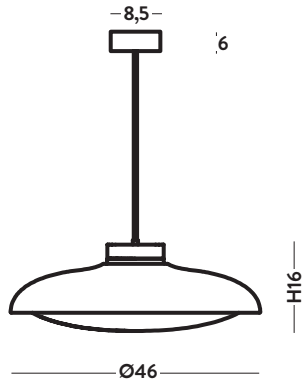
1 x LED 12,8W Dimmer Triac - 1615 Lm - 126 Lm/W

CC 350mA - CRI Typ.95 - 32 - 40V

180° - 3 step MacAdam - 2700°K / 3000°K

CE IP20 ⚠ 1m





## XXL1483.1L

Hanging lamp

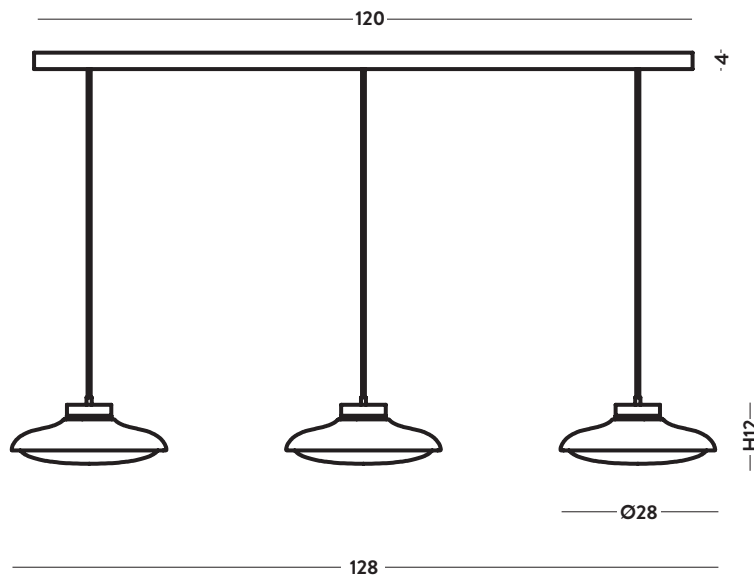
Glass Ø46 cm - Cable 150 cm

1 x LED 12,8W Dimmer Triac - 1615 Lm - 126 Lm/W

CC 350mA - CRI Typ.95 - 32 - 40V

180° - 3 step MacAdam - 2700°K / 3000°K

CE IP20 ⚠ 1m



## 1487.120.3L

Ceiling track

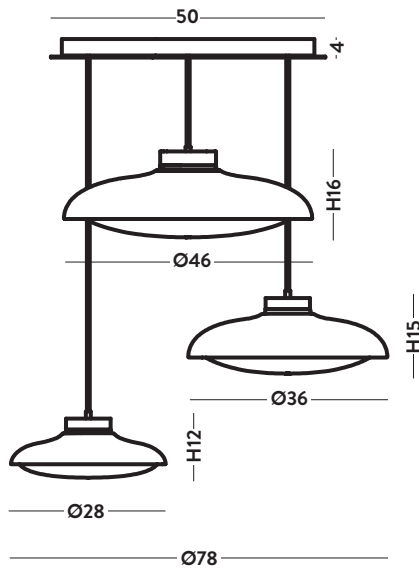
L128 - P28 cm - Cable 150 cm

1 x LED 12,8W Dimmer Triac - 1615 Lm - 126 Lm/W

CC 350mA - CRI Typ.95 - 32 - 40V

180° - 3 step MacAdam - 2700°K / 3000°K

CE IP20 ⚠ 1m



## 1489MX.50.3L

Ceiling lamp

Ø78 cm - Cable 150 cm

1 x LED 12,8W Dimmer Triac - 1615 Lm - 126 Lm/W

CC 350mA - CRI Typ.95 - 32 - 40V

180° - 3 step MacAdam - 2700°K / 3000°K

CE IP20 ⚠ 1m