

## Product technical sheet



### FOLD

**Design:** Cristian Li Voi

**Typology:** Ceiling lamp, wall lamp, hanging lamp, ceiling track

**Product code:** 1516.1L - GIG1516.1L - 1513.1L - GIG1513.1L - 1517.120.3L

**Products details:** Additional compositions on demand.  
 Black rubber electric cable.  
 Driver included.  
 Dimmable.  
 LED is replaceable by professional.  
 Lumen indicated corresponds to the luminous intensity at the origin of the LED board.  
 Ceiling track: stainless polished steel.  
 UL components +10%.  
 Products GIG in Fume color: 10% surcharge on the price of the coloured.

**Glass colours:**

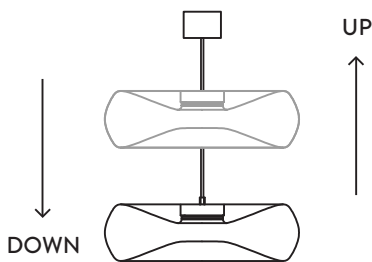


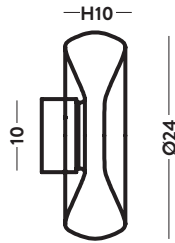
**Metal structure:**



**Special features:** Compatible with **CASAMBI** own the light, smart light and system designed by Cangini & Tucci.  
 Available Tunable white 2700k-5700k.  
 In the case of ceiling and wall lamps a remote installation of the driver is needed due to its dimension (7,2 x 5,1 x 2,5 cm).

Available Up and down system: Canopy equipped with cable reel up&down inside mechanism.





## 1516.1L

Ceiling lamp-Wall lamp

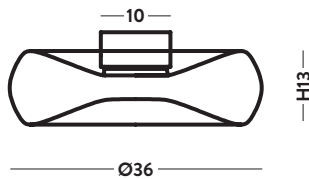
Glass Ø24 cm - H10 cm

1 x LED 12,8W Dimmer Triac - 1615 Lm - 126 Lm/W

CC 350mA - CRI Typ.95 - 32 - 40V

180° - 3 step MacAdam - 2700°K / 3000°K

CE IP20 ⚠ 1m



## GIG1516.1L

Ceiling lamp-Wall lamp

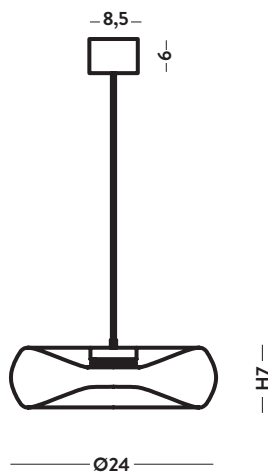
Glass Ø36 cm - H13 cm

1 x LED 17,4W Dimmer Triac - 2370 Lm - 134,3 Lm/W

CC 500mA - CRI Typ.95 - 32 - 40V

180° - 3 step MacAdam - 2700°K / 3000°K

CE IP20 ⚠ 1m



## 1513.1L

Hanging lamp

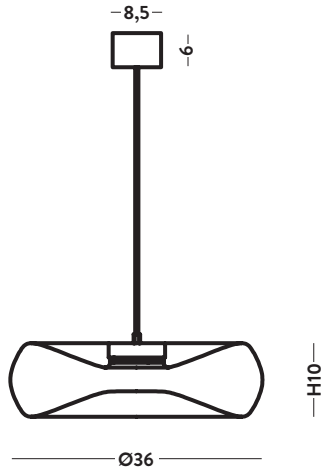
Glass Ø36 cm - H13 cm

1 x LED 17,4W Dimmer Triac - 2370 Lm - 134,3 Lm/W

CC 500mA - CRI Typ. 95 - 32 - 40V

180° - 3 step MacAdam - 2700°K / 3000°K

CE IP20 ⚠ 1m



## GIG1513.1L

Hanging lamp

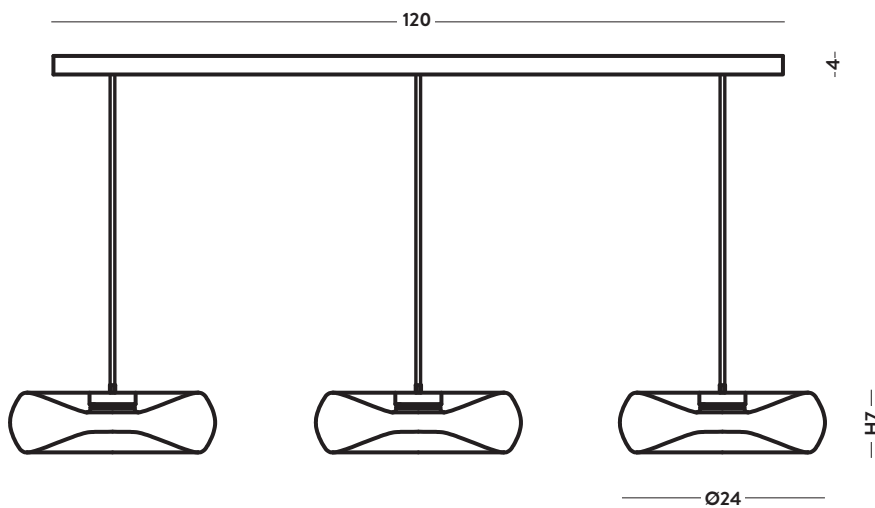
Glass Ø36 cm - H13 cm

1 x LED 17,4W Dimmer Triac - 2370 Lm - 134,3 Lm/W

CC 500mA - CRI Typ. 95 - 32 - 40V

180° - 3 step MacAdam - 2700°K / 3000°K

CE IP20 ⚠ 1m



## 1517.120.3L

Ceiling track

L124 - P24 cm - cavo/cable 150 cm

3 x LED 17,4W Dimmer Triac - 2370 Lm -

134,3 Lm/W - CC 500mA -

CRI Typ. 95 - 32 - 40V

180° - 3 step MacAdam - 2700°K / 3000°K

CE IP20 ⚠ 1m