

Product technical sheet



AUF®

Design: Alberto Manzoni

Typology: Hanging lamp, ceiling track and ceiling lamp

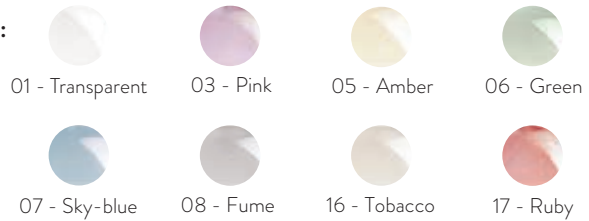
Product code: AUF.1L, 1403.1L, 1413.1L, 1443.1L, 1403.2L, 1407.120.3L, AUFMX.43.3L

Products details: Additional compositions on demand.
 Available metal structure: matt black.
 Black textile electric cable.
 Dimmable: yes (phase-cut dimmer triac) - LED is replaceable by professional.
 1447.120.3L Ceiling track: stainless polished steel.
 Lumen indicated corresponds to the luminous intensity at the origin of the LED board.

Leds available for AUF:

LED 15W Dimmer Triac - 1275 Lm - 85 Lm/W - IP20 - CRI 90+ - 230V - 3 step MacAdam - 2700°K.
 LED 15W Dimmer Triac - 1350 Lm - 90 Lm/W - IP20 - CRI 90+ - 230V - 3 step MacAdam - 3000°K.

Glass colours:



Metal structure and electric cable:



Matt black



AUF.1L

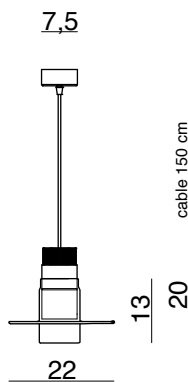
Hanging lamp

Cylinder Ø7,5 cm - Cable 150 cm

LED 1 x 15W - 2700°K or 3000°K - 1350 lm - 230V

Dimmer Triac

CE IP20 ⚠ 1m



1403.1L (TUBA)

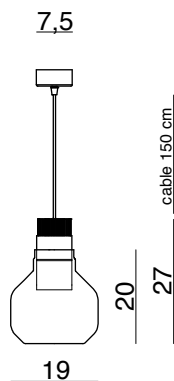
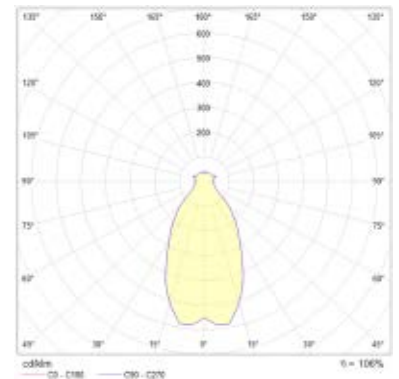
Hanging lamp

Glass Ø22 cm - Cable 150 cm

LED 1 x 15W - 2700°K or 3000°K -

1350 lm - 230V - Dimmer Triac

CE IP20 ⚠ 1m



1413.1L (MINI BUATTA)

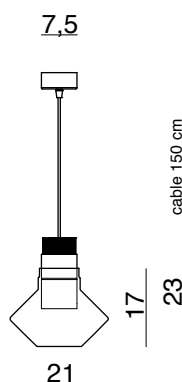
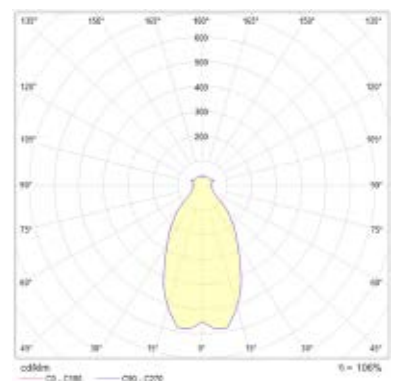
Hanging lamp

Glass Ø19 cm - Cable 150 cm

LED 1 x 15W - 2700°K or 3000°K -

1350 lm - 230V - Dimmer Triac

CE IP20 ⚠ 1m



1443.1L (LABO)

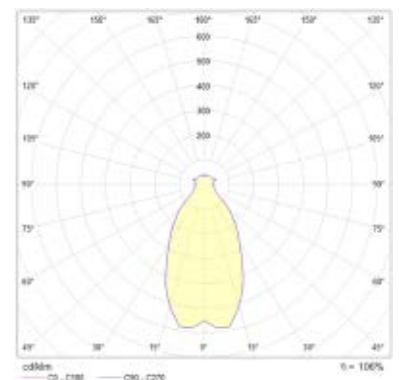
Hanging lamp

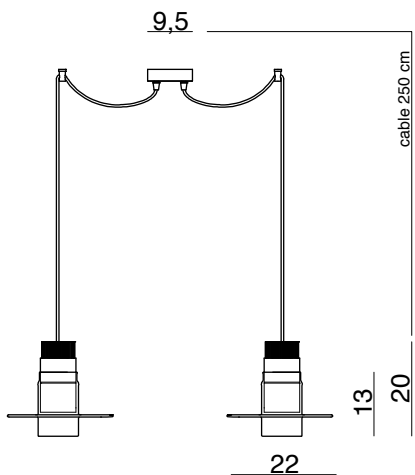
Glass Ø21 cm - Cable 150 cm

LED 1 x 15W - 2700°K or 3000°K -

1350 lm - 230V - Dimmer Triac

CE IP20 ⚠ 1m





1403.2L (TUBA)

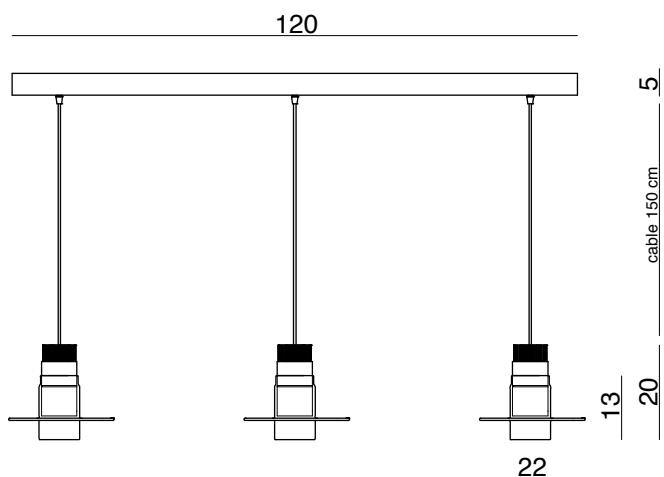
Hanging lamp

Glass 2x Ø22 cm - Cable 250 cm

LED 2x 15W - 2700°K or 3000°K - 1350 lm - 230V

Dimmer Triac

CE IP20 ⚠ 1m



1407.120.3L (TUBA)

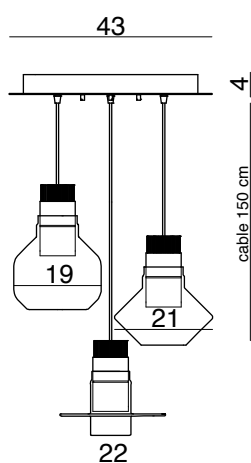
Ceiling track

Glass 3x Ø22 cm - Cable 150 cm

LED 3 x 15W - 2700°K or 3000°K - 1350 lm - 230V

Dimmer Triac

CE IP20 ⚠ 1m



AUFMX.43.3L

Ceiling lamp

Glass Ø19/21/22 cm - Cable 150 cm

LED 3 x 15W - 2700°K or 3000°K - 1350 lm - 230V

Dimmer Triac

CE IP20 ⚠ 1m